

CAD FILENAME: 5831/5831C.WSD

NO ALTERATIONS OR ADDITIONS TO BE MADE TO THIS DIAGRAM RE-PLOT ONLY.

DRAWN	CHECKED	REVIS	REVISION	REVISION	REVISION	REVISION	REVISION	REVISION	REVISION
RB									
		A	B	C	D	1	2	3	4

ELECTRICAL SYMBOLS TO BS 3939

EUROTHERM DRIVES Ltd

TITLE

CIRCUIT DIAGRAM
CONTROL BOARD
5831

USED ON

IP54 1.5kW INVERTER

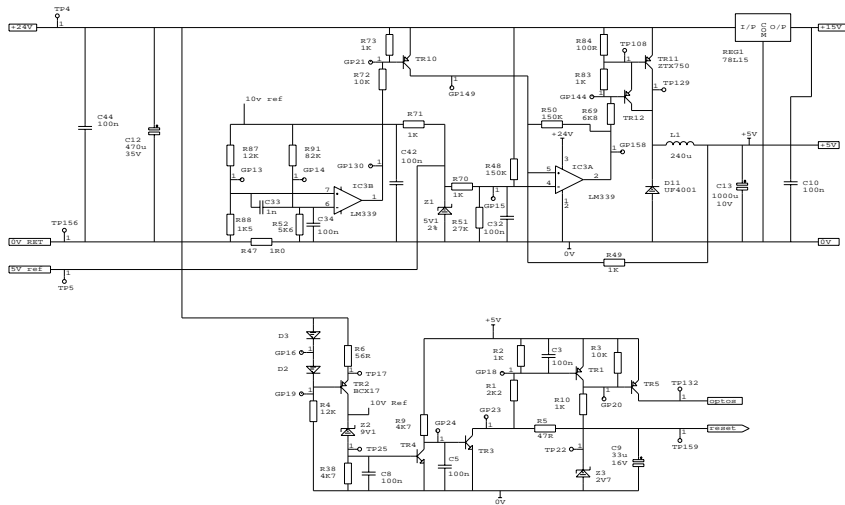
DRAWING NUMBER

AI059534D

© 1991
SER LTD 1991

SHT.

1
OF
3



CAD FILENAME: 5831C_*.SCH

NO ALTERATIONS OR ADDITIONS TO BE MADE TO THIS DIAGRAM RE-PLOT ONLY.

DRWNS	CHECKED	RHPD	RENGD	RENGD	RENGD	RENGD	RENGD	RENGD	RENGD	RENGD	RENGD	RENGD	RENGD	RENGD	RENGD	RENGD	RENGD	RENGD	RENGD	RENGD
RB																				
		A	B	C	D	1	2	3	4											

ELECTRICAL SYMBOLS TO BS 3939

EUROTHERM DRIVES Ltd

TITLE

CIRCUIT DIAGRAM
CONTROL BOARD
5831

USED ON	IP54 1.5kW INVERTER	SSD LTD 1991
DRAWING NUMBER	AI059534D	
SHT.	3	
OF	3	