

CAD FILENAME: S831P.SCH NO ALTERATIONS OR ADDITIONS TO BE MADE TO THIS CIRCUIT DIAGRAM RE-PLOT ONLY.

RB	DESIGNED	CHECKED	APPROVED	DATE	DESCRIPTION
	1	2	3	4	5

EUROTHERM DRIVES Ltd

ELECTRICAL SYMBOLS GENERALLY TO BS3939

TITLE

CIRCUIT DIAGRAM
5831 POWER BOARD

USED ON

IP54 1.5kW INVERTER

DRAWING NUMBER

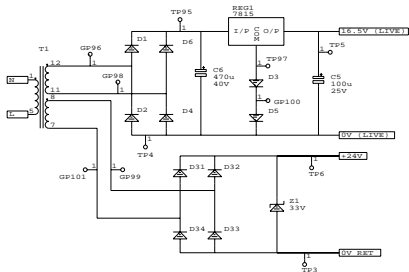
AI059533E

REV LVD 1991

REV

1

9

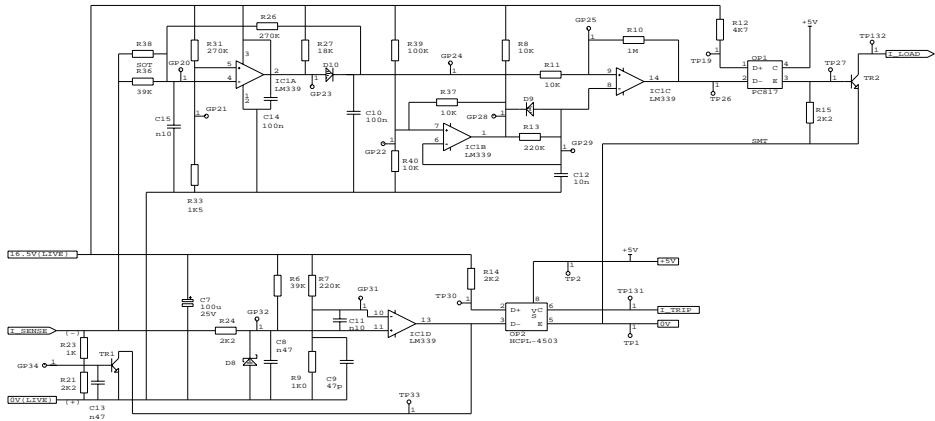


ISS.	DATE
A	080291
B	220291
C	110491
D	260491
E	080791
F	220791
G	260791
1	290791
2	240991

CAD FILENAME: U:5831P_1.SCH

NO ALTERATIONS OR ADDITIONS TO BE MADE TO THIS CIRCUIT DIAGRAM RE-PLOT ONLY

DRAWN RB	CHECKED	ELECTRICAL SYMBOLS GENERALLY TO BS3939	TITLE	USED ON	
		EUROTHERM DRIVES Ltd	CIRCUIT DIAGRAM 5831 POWER BOARD	IP54 1.5kW INVERTER	
				DRAWING NUMBER	SMT.
				AI059533C	2 OF 9



CAD FILENAME: 5831P_2.SCH

NO ALTERATIONS OR ADDITIONS TO BE MADE TO THIS DIAGRAM RE-PLOT ONLY.

DRAWN	CHECKED	DESIGNED	DESIGNED	DESIGNED	DESIGNED	DESIGNED	DESIGNED	DESIGNED	DESIGNED
RB									
		A	B	C	D	E	F	G	L
									2

ELECTRICAL SYMBOLS TO BS 3939

EUROTHERM DRIVES Ltd

TITLE

CIRCUIT DIAGRAM
5831 POWER BOARD

USED ON

IP54 1.5KW INVERTER

DRAWING NUMBER

AI059533D



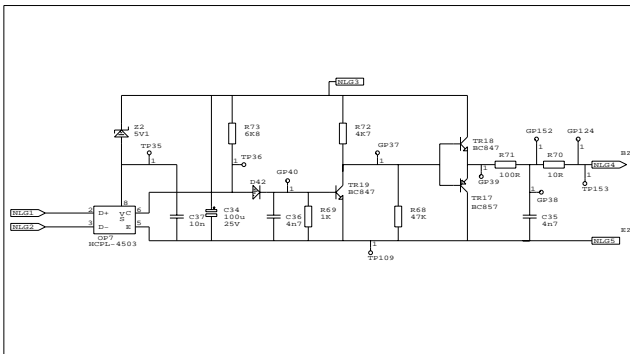
SSD LTD 1991

SHT.

3

OF

9



ISS.	DATE
A	080291
B	220291
C	110491
D	260491
E	090791
F	220791
G	260791
1	290791
2	240991

CAD FILENAME: U75831P_3.SCH

NO ALTERATIONS OR ADDITIONS TO BE MADE TO THIS CIRCUIT DIAGRAM RE-PLOT ONLY

DRAWN
RB

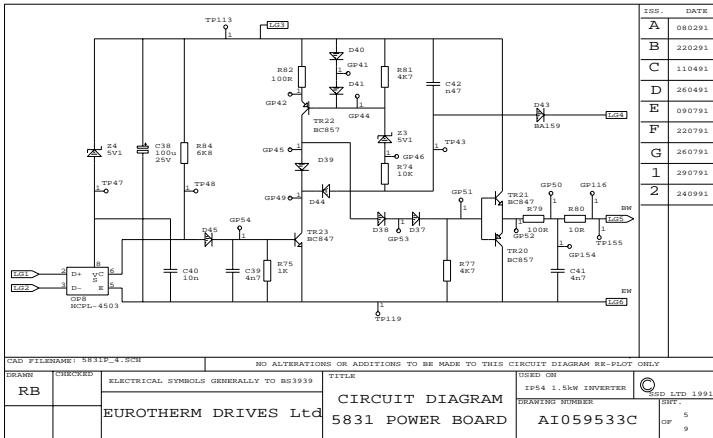
CHECKED

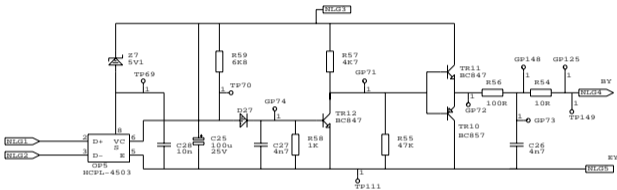
ELECTRICAL SYMBOLS GENERALLY TO BS3939
EUROTHERM DRIVES Ltd

TITLE
CIRCUIT DIAGRAM
5831 POWER BOARD

USED ON
IP54 1.5kW INVERTER
DRAWING NUMBER
AI059533C

SSD LTD 1991
SHT.
OF 4
9





ISS. DATE

A 080291

B 220291

C 110491

D 260491

E 090791

F 220791


G 260791

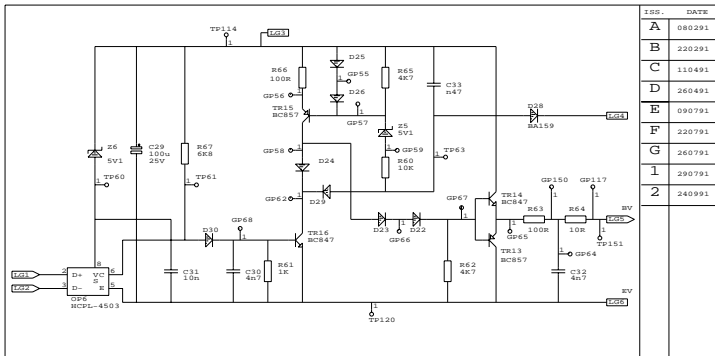
1 290791

2 240991

CAD FILENAME: 5831P_5.SCH

NO ALTERATIONS OR ADDITIONS TO BE MADE TO THIS CIRCUIT DIAGRAM RE-PLOT ONLY

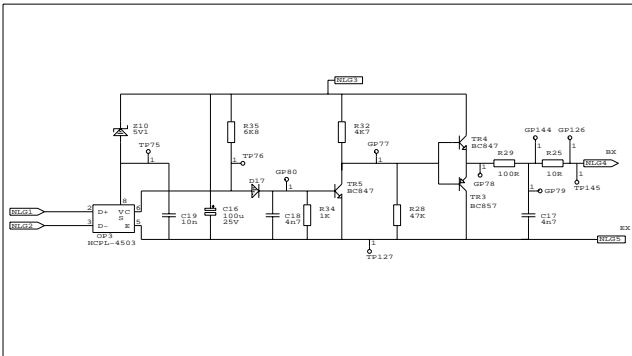
DRAWN	CHECKED	ELECTRICAL SYMBOLS GENERALLY TO BS3939	TITLE	USED ON	 SSD LTD 1991
RB			CIRCUIT DIAGRAM	IP54 1.5kW INVERTER	
		EUROTHERM DRIVES Ltd	5831 POWER BOARD	DRAWING NUMBER	SHT.
				AI059533C	OF 6
					9



CAD FILENAME: 5831P_6.SCH

NO ALTERATIONS OR ADDITIONS TO BE MADE TO THIS CIRCUIT DIAGRAM RE-PLOT ONLY

DRAWN	CHECKED	ELECTRICAL SYMBOLS GENERALLY TO BS3939	TITLE	USED ON	
RB			CIRCUIT DIAGRAM 5831 POWER BOARD	IP54 1.5kW INVERTER	SSD LTD 1991
		EUROTHERM DRIVES Ltd		DRAWING NUMBER	
				AI059533C	7 OF 9

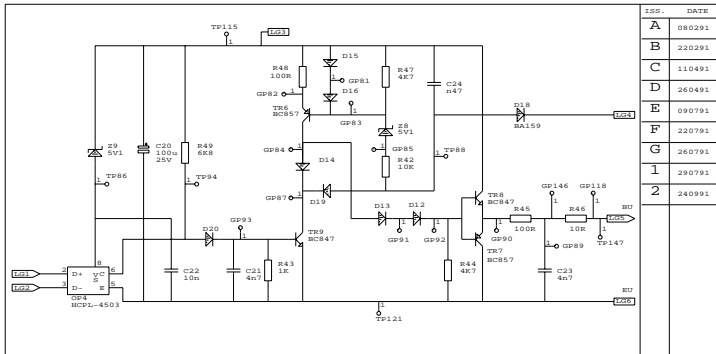


ISS.	DATE
A	080291
B	220291
C	110491
D	260491
E	090791
F	220791
G	260791
1	290791
2	240991

CAD FILENAME: 5831P_7.SCH

NO ALTERATIONS OR ADDITIONS TO BE MADE TO THIS CIRCUIT DIAGRAM RE-PLOT ONLY

DRAWN RB	CHECKED	ELECTRICAL SYMBOLS GENERALLY TO BS3939	TITLE	USED ON	SSD LTD 1991
		EUROTHERM DRIVES Ltd	CIRCUIT DIAGRAM 5831 POWER BOARD	IP54 1.5kW INVERTER	
				DRAWING NUMBER	SMT.
				AI059533C	8 9



ISS.	DATE
A	080291
B	220291
C	110491
D	260491
E	090791
F	220791
G	260791
1	290791
2	240991

CAD FILENAME: 5831P_B.SCH NO ALTERATIONS OR ADDITIONS TO BE MADE TO THIS CIRCUIT DIAGRAM RE-PLOT ONLY

DRAWN RB	CHECKED	ELECTRICAL SYMBOLS GENERALLY TO BS3939	TITLE	USED ON	SSD LTD 1991
				CIRCUIT DIAGRAM	
		EUROTHERM DRIVES Ltd	5831 POWER BOARD	DRAWING NUMBER	SHT.
				AI059533C	9
					OF 9