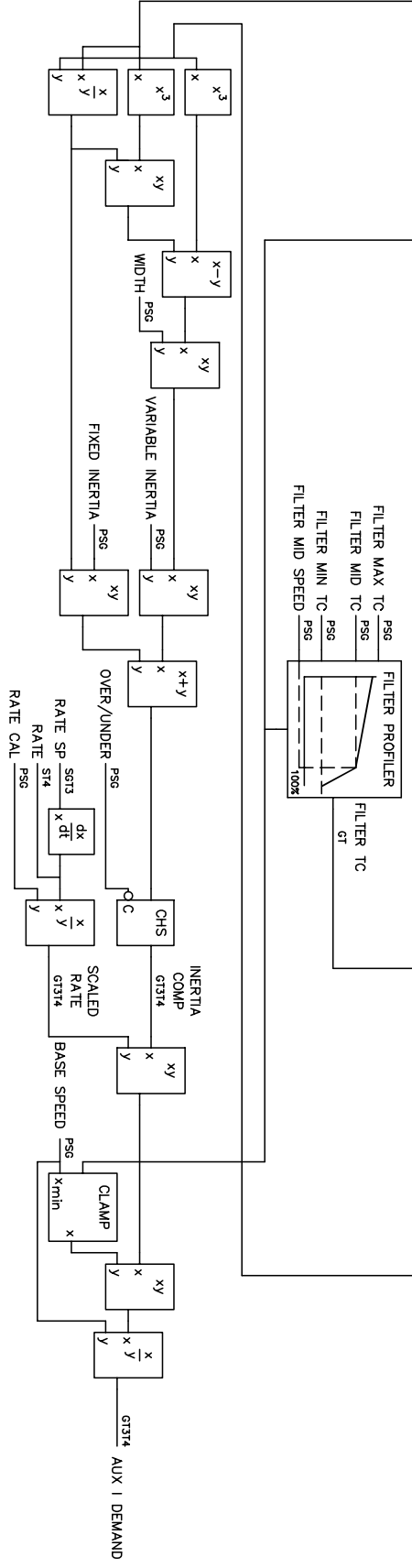
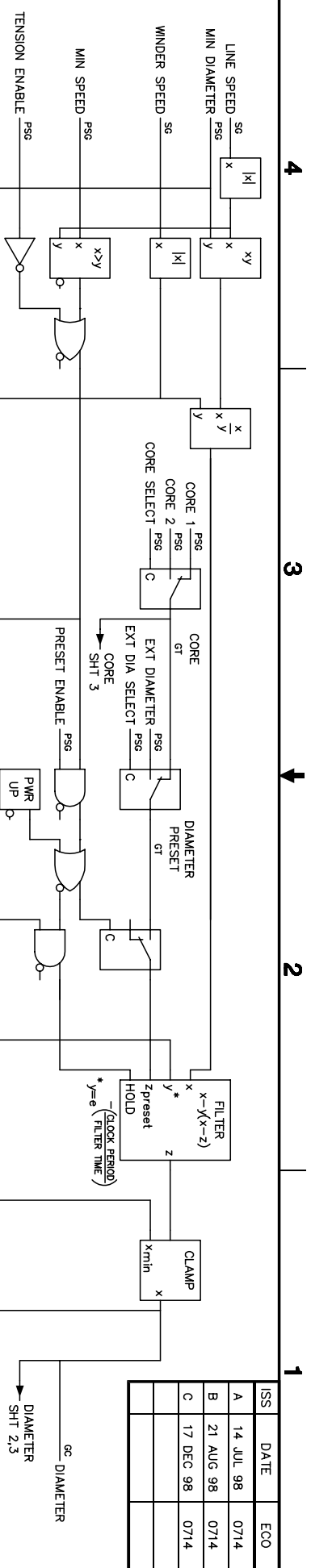
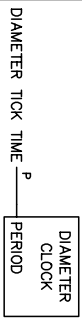


ISS	DATE	ECO
A	14 JUL 98	0714
B	21 AUG 98	0714
C	17 DEC 98	0714



GENERAL NOTES:

- THIS DIAGRAM DEPICTS THE RELATION OF LINK FUNCTION BLOCK DATA VARIABLES AND OPERATIONS. NAMED VARIABLES MAY POSSESS ONE OR MORE OF THE FOLLOWING ATTRIBUTES AS NOTED:
 PRESET (P) - THE VARIABLE MAY BE PRESET DURING CONFIGURATION.
 SET (S) - THE VARIABLE MAY BE CONNECTED AS AN INPUT AND MAY BE MODIFIED BY SAM IN SPECIAL MODE OR IF A TEST POINT WAS ASSIGNED.
 GET (G) - THE VARIABLE MAY BE ASSIGNED A TEST POINT DURING CONFIGURATION. THE VARIABLE MAY BE EXAMINED BY SAM IN SPECIAL MODE OR IF A TEST POINT WAS ASSIGNED.
 CLOCKED (C) - THE VARIABLE IS DETERMINED AT A SPECIFIED CLOCK RATE.
 TRIGGERED (T or Tr) - THE VARIABLE IS DETERMINED UPON ANY PRECEDING VARIABLE EVENT OR UPON A SPECIFIC INPUT VARIABLE EVENT IDENTIFIED BY NUMBER.



EUROTHERM DRIVES

CHARLOTTE, NC, USA

DWN	D. COX	7 JUL 98	S.O.	-	DIAMETER CALCULATOR AND INERTIA COMPENSATION	SIZE B	DWG NO	RF354823B
CHK	C. FELDMAN	7 JUL 98	GUS	-	WINDERS/SPW3 (SPEED PROGRAMMED WINDER)	SCALE	A1B1C	
APP			P.O.	-	LINK FUNCTION BLOCK DATA FLOW DIAGRAM	SHEET		1 OF 3
EDIT			LOC	-				