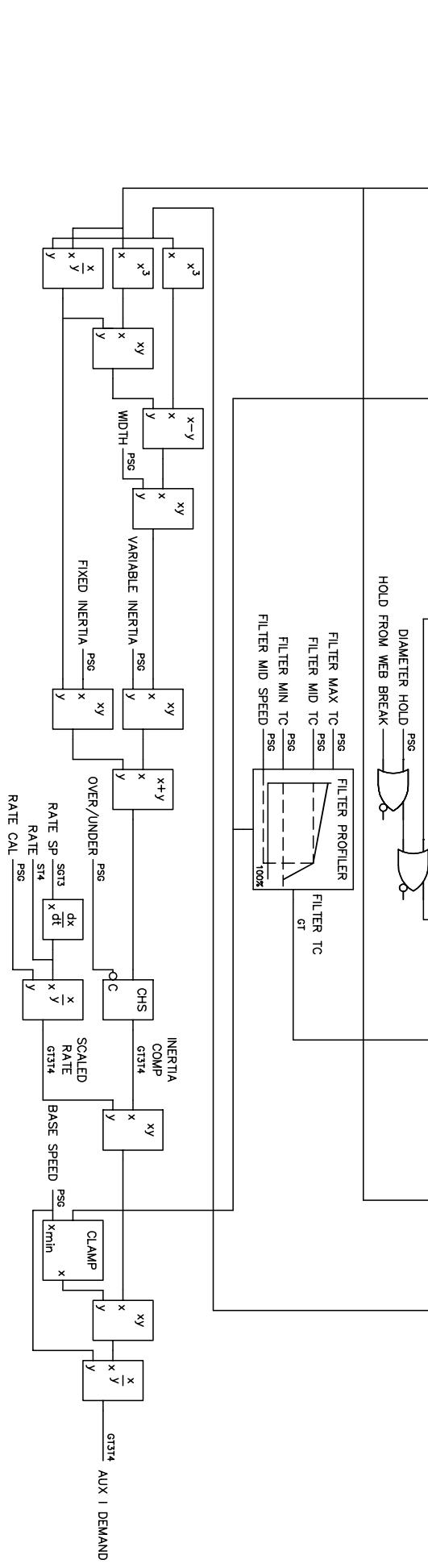
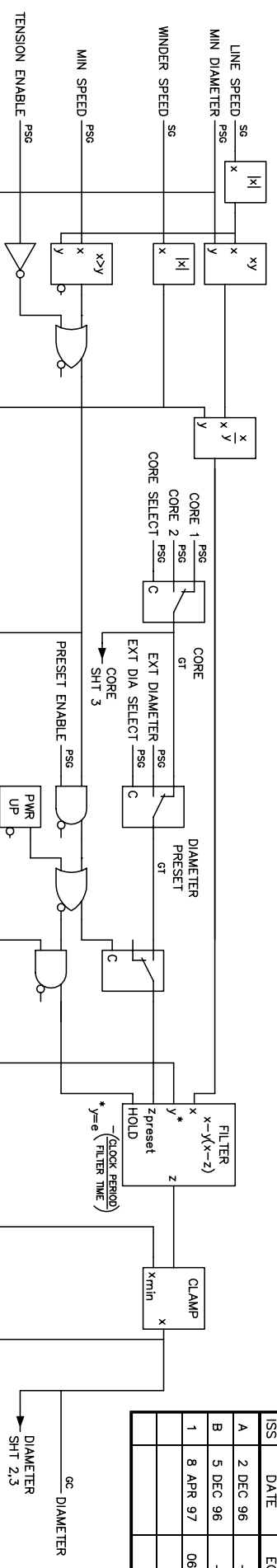
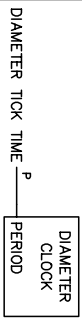


ISS	DATE	ECO
A	2 DEC 96	-
B	5 DEC 96	-
1	8 APR 97	0624



GENERAL NOTES:

- THIS DIAGRAM DEPICTS THE RELATION OF LINK FUNCTION BLOCK DATA VARIABLES AND OPERATIONS. NAMED VARIABLES MAY POSSESS ONE OR MORE OF THE FOLLOWING ATTRIBUTES AS NOTED:
 PRESET (P) - THE VARIABLE MAY BE PRESET DURING CONFIGURATION.
 SET (S) - THE VARIABLE MAY BE CONNECTED AS AN INPUT AND MAY BE MODIFIED BY SAM IN SPECIAL MODE OR IF A TEST POINT WAS ASSIGNED.
 GET (G) - THE VARIABLE MAY BE ASSIGNED A TEST POINT DURING CONFIGURATION. THE VARIABLE MAY BE EXAMINED BY SAM IN SPECIAL MODE OR IF A TEST POINT WAS ASSIGNED.
 CLOCKED (C) - THE VARIABLE IS DETERMINED AT A SPECIFIED CLOCK RATE.
 TRIGGERED (T or T₀) - THE VARIABLE IS DETERMINED UPON ANY PRECEDING VARIABLE EVENT OR UPON A SPECIFIC INPUT VARIABLE EVENT IDENTIFIED BY NUMBER.



EUROTHERM DRIVES

CHARLOTTE, NC, USA

DWN	H. PRUNER	2 DEC 96	S.O.	-	DIAMETER CALCULATOR AND INERTIA COMPENSATION	SIZE B	DWG NO	RF354768B
CHK	C. HARRIS-EVANS	3 DEC 96	GUS	-	WINDERS/SPWZ (SPEED PROGRAMMED WINDER)	SCALE	AB1	-
APP	C. HARRIS-EVANS	5 DEC 96	P.O.	-	LINK FUNCTION BLOCK DATA FLOW DIAGRAM	SHEET	-	1 OF 3
EDIT			LOC	-				