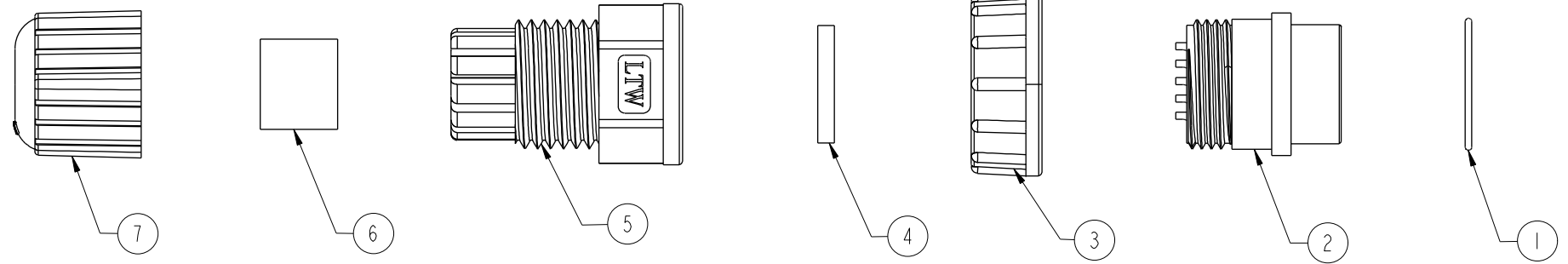


THIS DOCUMENT IS SUBJECT TO CHANGE WITHOUT NOTICE. IT IS CONFIDENTIAL AND A PROPERTY OF AMPHENOL LTW. DISCLOSURE TO THIRD PARTY HAS TO BE AUTHORIZED BY AMPHENOL LTW.

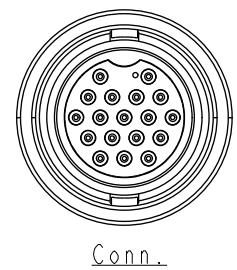
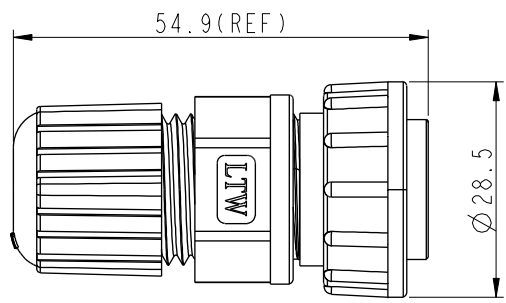
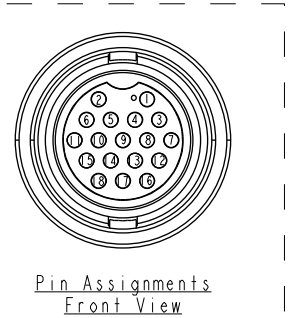
| | | | | |
|------|---------|------|------|-------------|
| REV. | ECN NO. | DATE | SIGN | DESCRIPTION |
| | | | | |



ALTW
CONFIDENTIAL
 2012-05-23
R&D DEPT.

ALTW
DCC. DEPT.
CONFIDENTIAL
 2012-06-22
ISSUED

- Note:
- * $\text{\textcircled{C}}$ Important Dimension To Check.
 - * Waterproof Rate: IP67
 - * Housing: Black, Nylon+GF
 - * Pin: Copper Alloy, Gold Plated
 - * Ring: Black, EPDM
 - * Gasket: Silicone
 - * Nut: Black, Nylon+GF
 - * Clamp Ring: Black, Nylon+GF
 - * Sealing Nut: Black, Nylon+GF
 - * Seal: Black, EPDM
 - * Seals For Cable OD: $\varnothing 5.5\text{mm} \sim 10.8\text{mm}$



| | | | | | | | | |
|--|--|----------------|--|----------------------------|-----------------------------|----------------------|---------------------|--------------------|
| UNIT: mm TOLERANCE .X ± 0.25 .XX ± 0.1 .XXX ± 0.05 ANGLES $\pm 1^\circ$ | TITLE Large Assy 18Pin F Conn M Pin | | <h1>Amphenol LTW</h1> <h2>安費諾亮泰企業股份有限公司</h2> | | ITEM NO DD-18BFMA-LL7001 | DRAWN BY SamChang | DATE 2012-05-23 | |
| | SCALE 1:1 | SIZE A4 | SHEET 1 OF 1 | DWG NO DD-18BFMA-LL7001 | CHECKED BY Jeffrey | DATE 2012-06-22 | APPROVED BY Lion | DATE 2012-06-22 |
| | REV. A | WC-REV. A.2 | $\text{\textcircled{C}}$: Inspection item | CUSTOMER ALTW | APPROVED BY Lion | DATE 2012-06-22 | DATE 2012-06-22 | DATE 2012-06-22 |