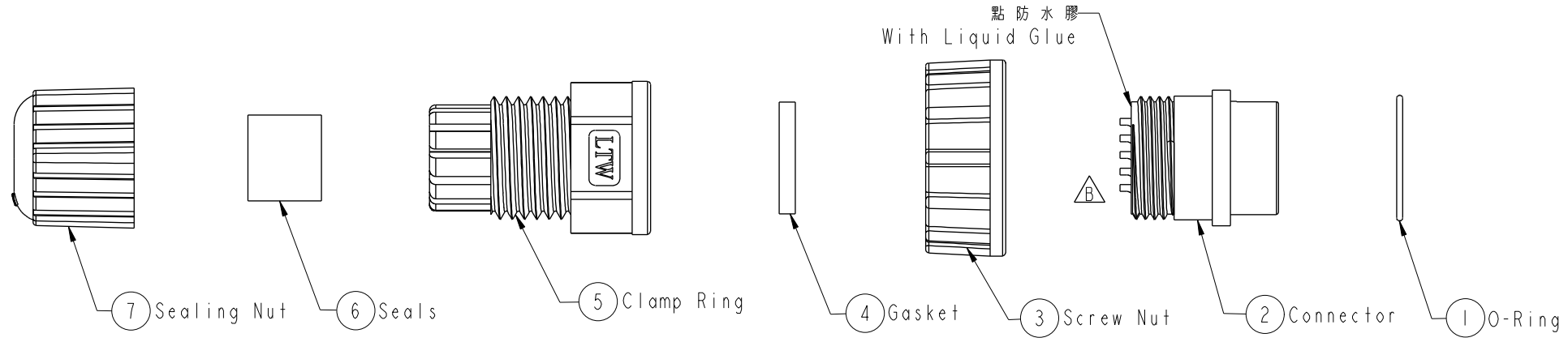


REV.	ECN NO.	DATE	SIGN	DESCRIPTION
B	LEN-0C0606	2010/11/26	Ivan	Change View

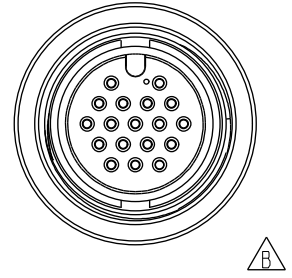
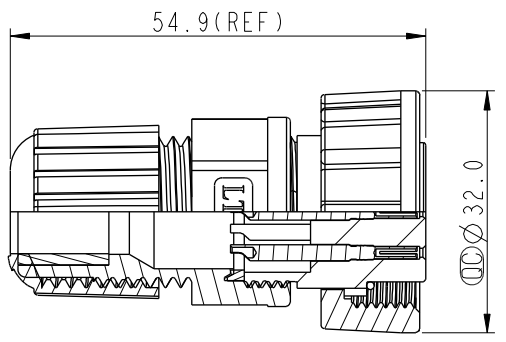
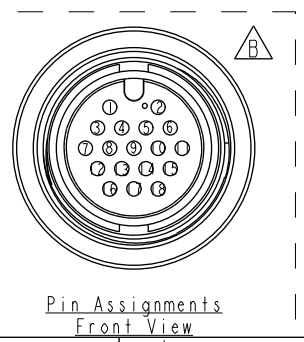
THIS DOCUMENT IS SUBJECT TO CHANGE WITHOUT NOTICE. IT IS CONFIDENTIAL AND A PROPERTY OF AMPHENOL LTW. DISCLOSURE TO THIRD PARTY HAS TO BE AUTHORIZED BY AMPHENOL LTW.



ALTW
CONFIDENTIAL
 2012-05-23
R&D DEPT.

ALTW
DCC. DEPT.
CONFIDENTIAL
 2012-06-22
ISSUED

- Note:
- * \varnothing Important Dimension.
 - * Waterproof Rate: IP67
 - * Connector: 18Pin Female Conn, Black
 - * Female Pin: Copper Alloy, Gold Plated
 - * Screw Nut: Nylon+GF, Black
 - * O-Ring: EPDM, Black
 - * Gasket: Silicone, Black
 - * Sealing Nut: Nylon, Black
 - * Clamping Ring: Nylon, Black
 - * Seals: EPDM, Black
 - * Seal For Cable OD: \varnothing 5.5mm~10.8mm
 - * One Set Unassembled In One PE Bag



UNIT: mm		TITLE		ITEM NO.	DRAWN BY	DATE
		Screw Type Connector For Field Installation 180° 18Pin Female Connector Female Pin(5A)		DD-18BFFA-SL7001	SamChang	2012-05-23
TOLERANCE		SCALE	SIZE	SHEET	OF	DATE
.X ±0.25		1:1	A4	1	1	2012-06-22
.XX ±0.1		REV.	WC-REV.			DATE
.XXX ±0.05		B	A.2			2012-06-22
ANGLES ±1°				CUSTOMER	APPROVED BY	DATE
				ALTW	Lion	2012-06-22
				8 FMM10702-01-02A1		

Amphenol LTW
安費諾亮泰企業股份有限公司