

### Module Address

IP Address 192.168.0.2  
Subnet Mask: 255.255.255.0  
Default gateway 192.168.0.1

### Connection2 (Server)

Local Properties(Server)  
TSAP: 21.00  
Only this connection: 192.168.0.3  
Remote Properties(Client)  
TSAP: 20.00

### Connection1 (Client)

Local Properties(Client)  
TSAP: 20.00  
Remote Properties(Server)  
IP Address 192.168.0.3  
TSAP: 21.00

Data Transfer (Read: Local-<Remote; Write: Local->Remote)

| ID | Operate | Length (Bytes) | Address (Local) | Address (Remote) |
|----|---------|----------------|-----------------|------------------|
| 1  | Read    | 1              | VB0             | VB1              |

Creator:  
Checked:  
Date:

LM

6/28/22 1:41 PM/3/5/23 9:13 PM

Project:  
Installation:  
File:

czerwiec-logo2.lsc

Customer:  
Diagram No.:  
Page:

1 / 12

### Connection3 (Server)

Local Properties(Server)

TSAP: 22.00

Only this connection: 192.168.0.4

Remote Properties(Client)

TSAP: 21.00

Creator: LM

Checked:

Date: 6/28/22 1:41 PM/3/5/23 9:13 PM

Project:

Installation:

File:

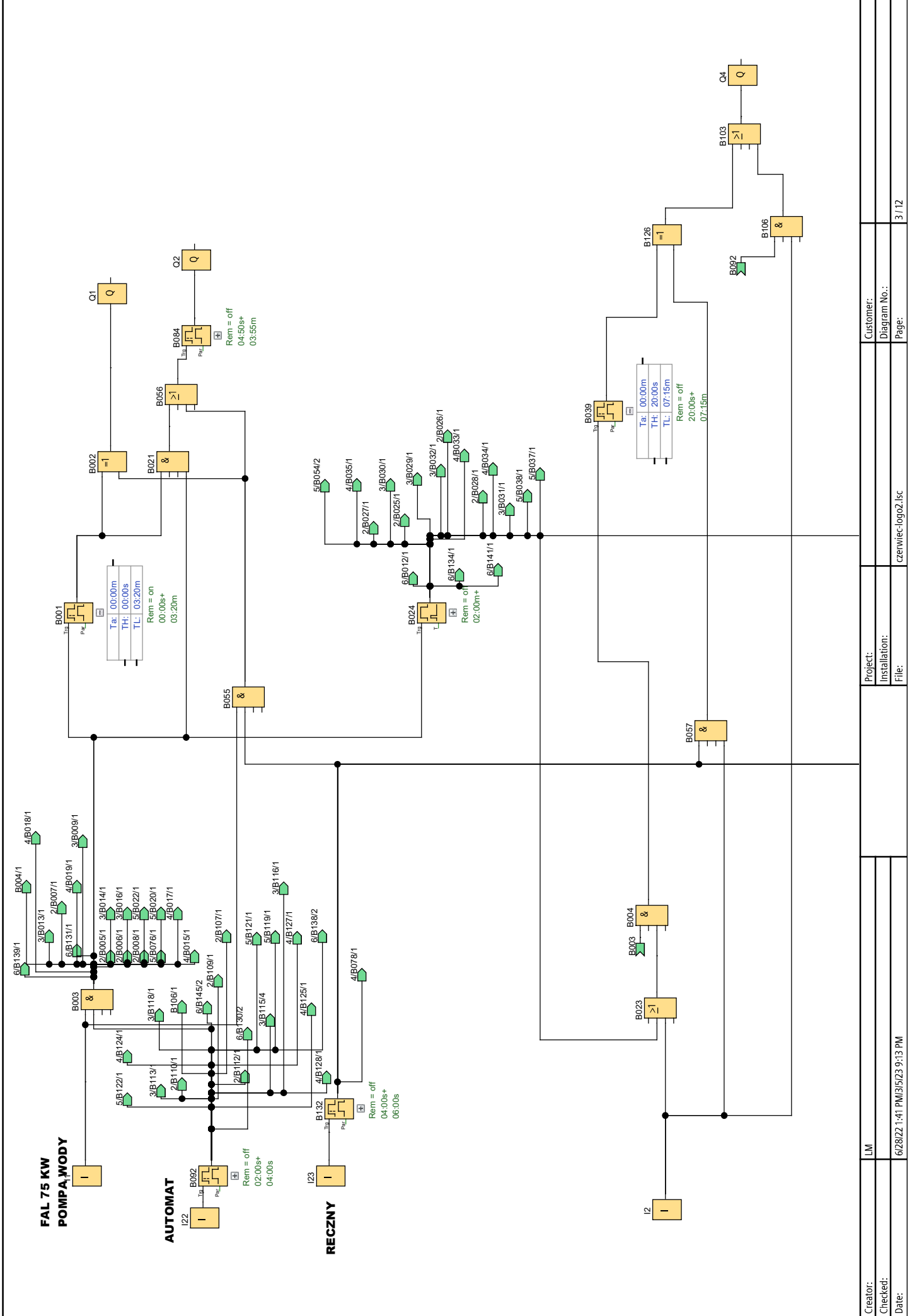
Customer:

Diagram No.:

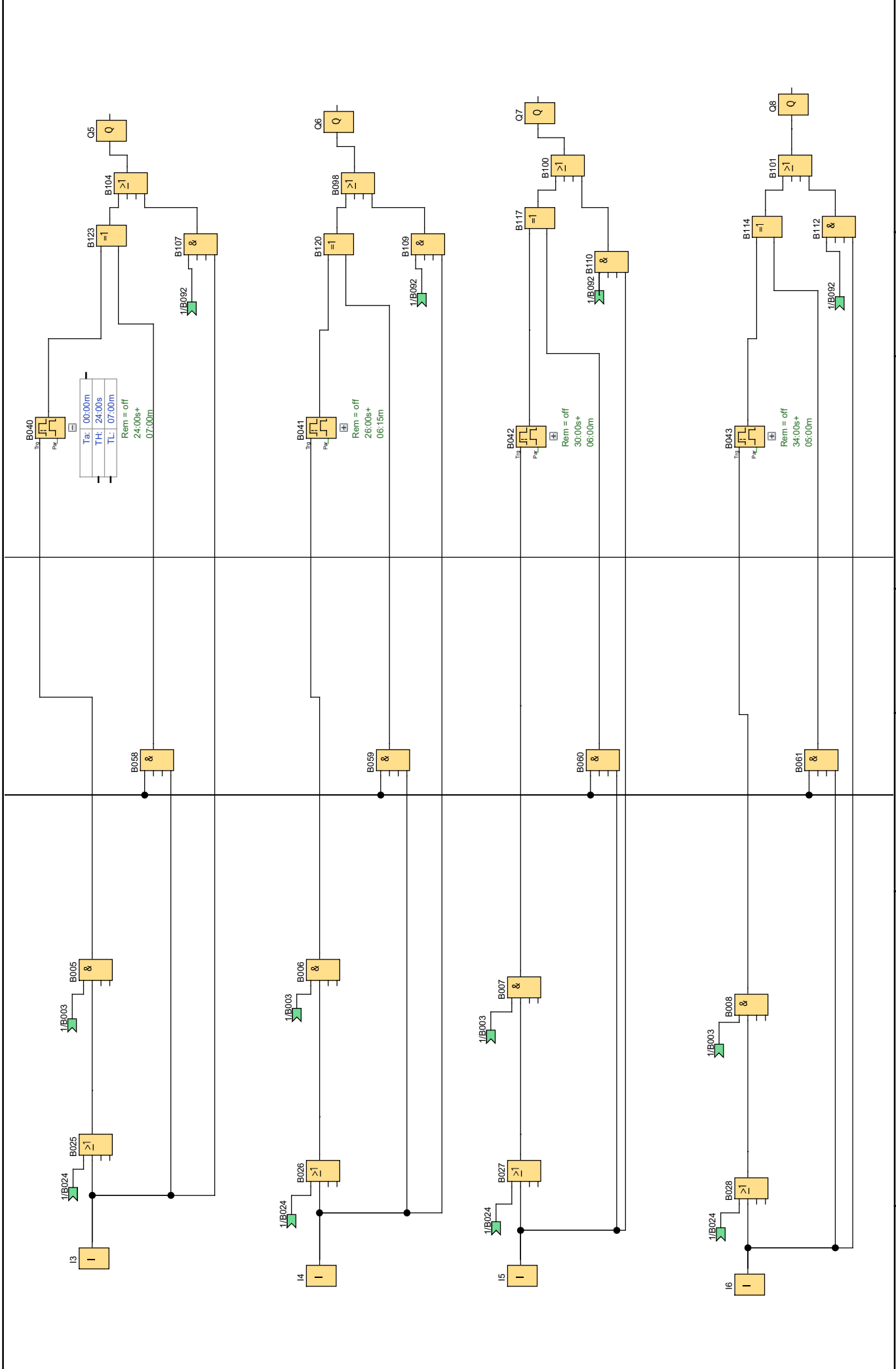
Page:

czerwiec-logo2.lsc

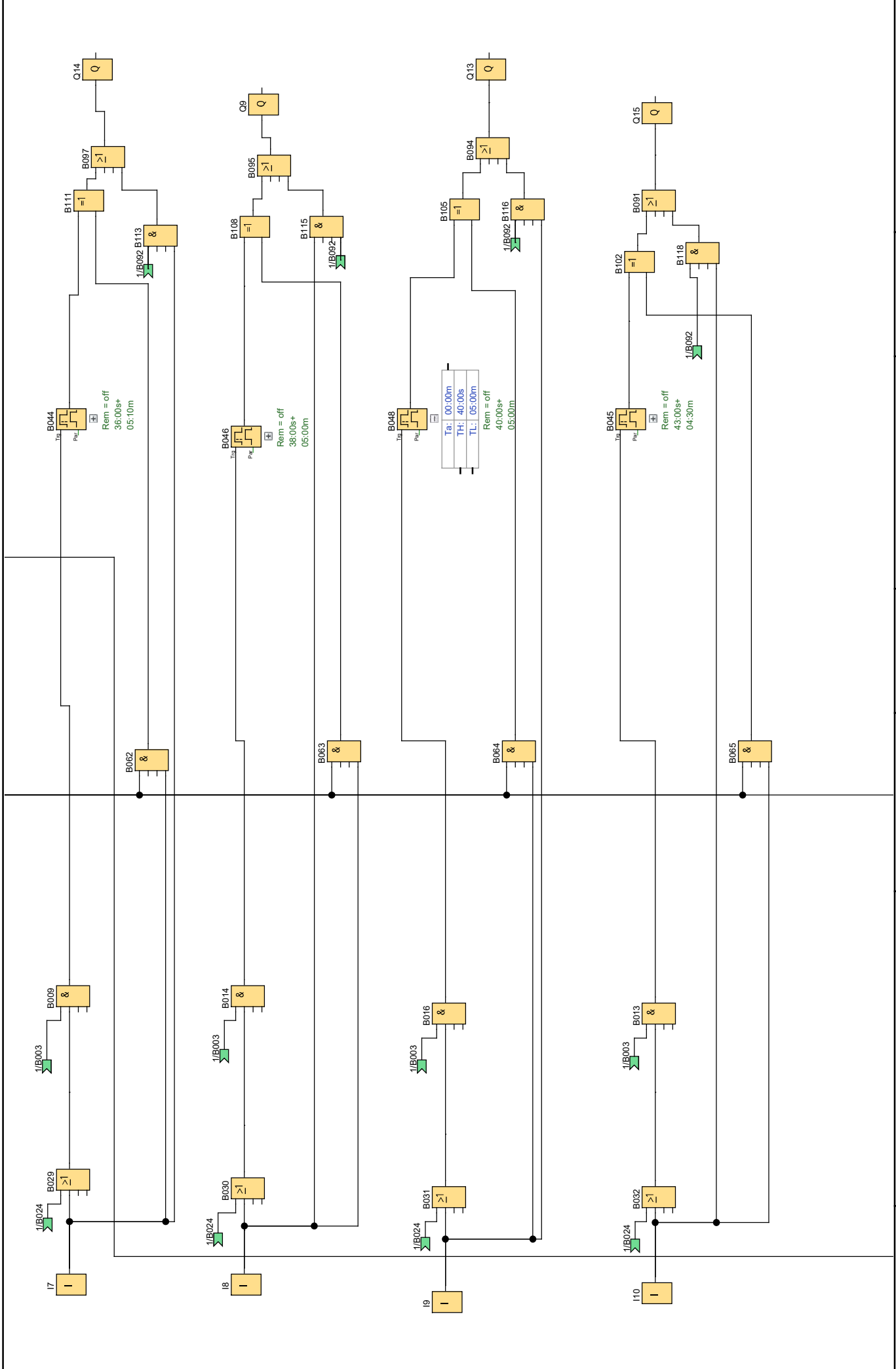
2 / 12



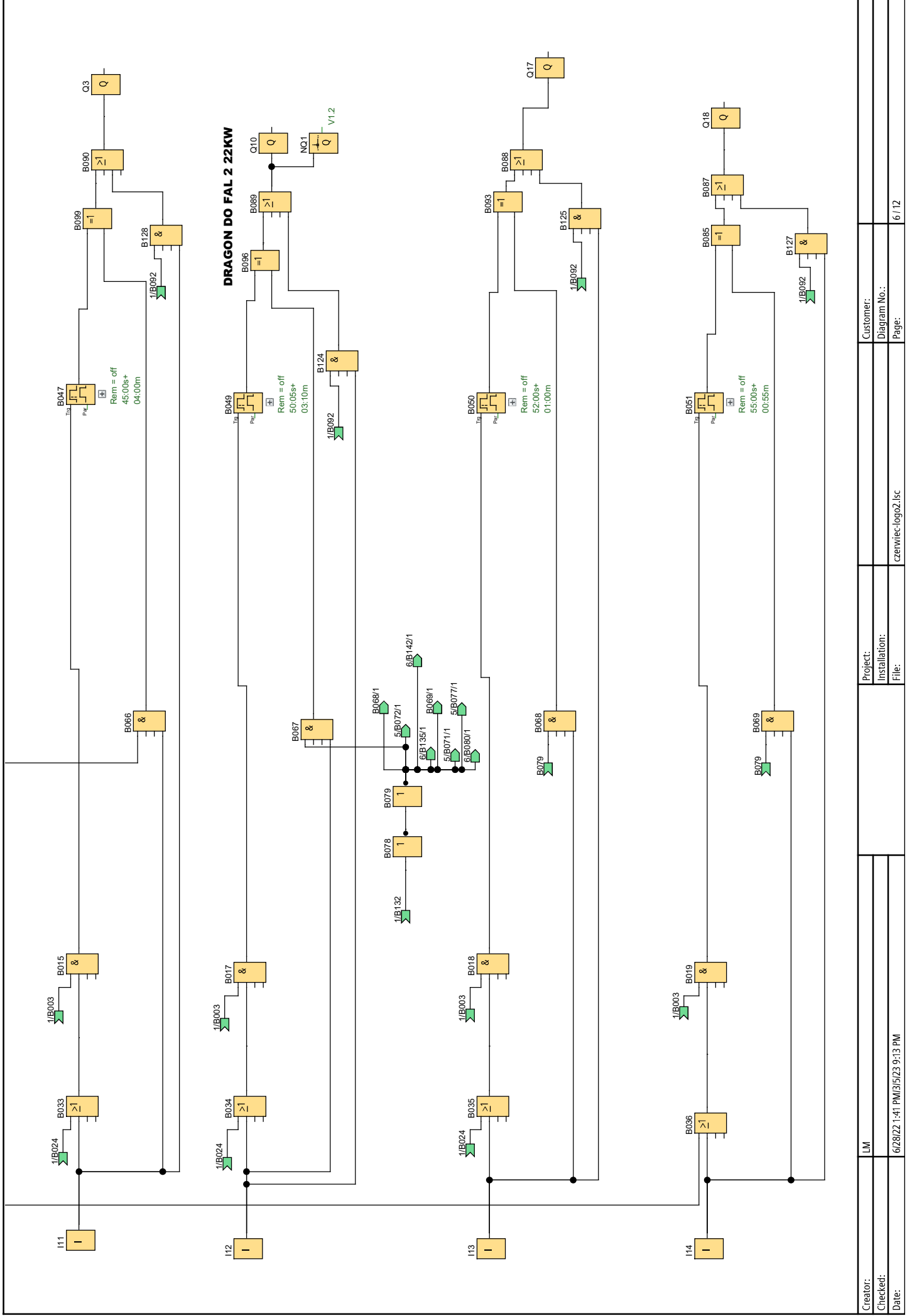
|          |                              |               |                    |              |        |
|----------|------------------------------|---------------|--------------------|--------------|--------|
| Creator: | LM                           | Project:      |                    | Customer:    |        |
| Checked: |                              | Installation: |                    | Diagram No.: |        |
| Date:    | 6/28/22 1:41 PM/5/23 9:13 PM | File:         | czerwiec-logo2.lsc | Page:        | 3 / 12 |



|          |                                |               |                     |              |        |
|----------|--------------------------------|---------------|---------------------|--------------|--------|
| Creator: | LM                             | Project:      |                     | Customer:    |        |
| Checked: |                                | Installation: |                     | Diagram No.: |        |
| Date:    | 6/28/22 1:41 PM/3/5/23 9:13 PM | File:         | czerwiec-logic2.lsc | Page:        | 4 / 12 |

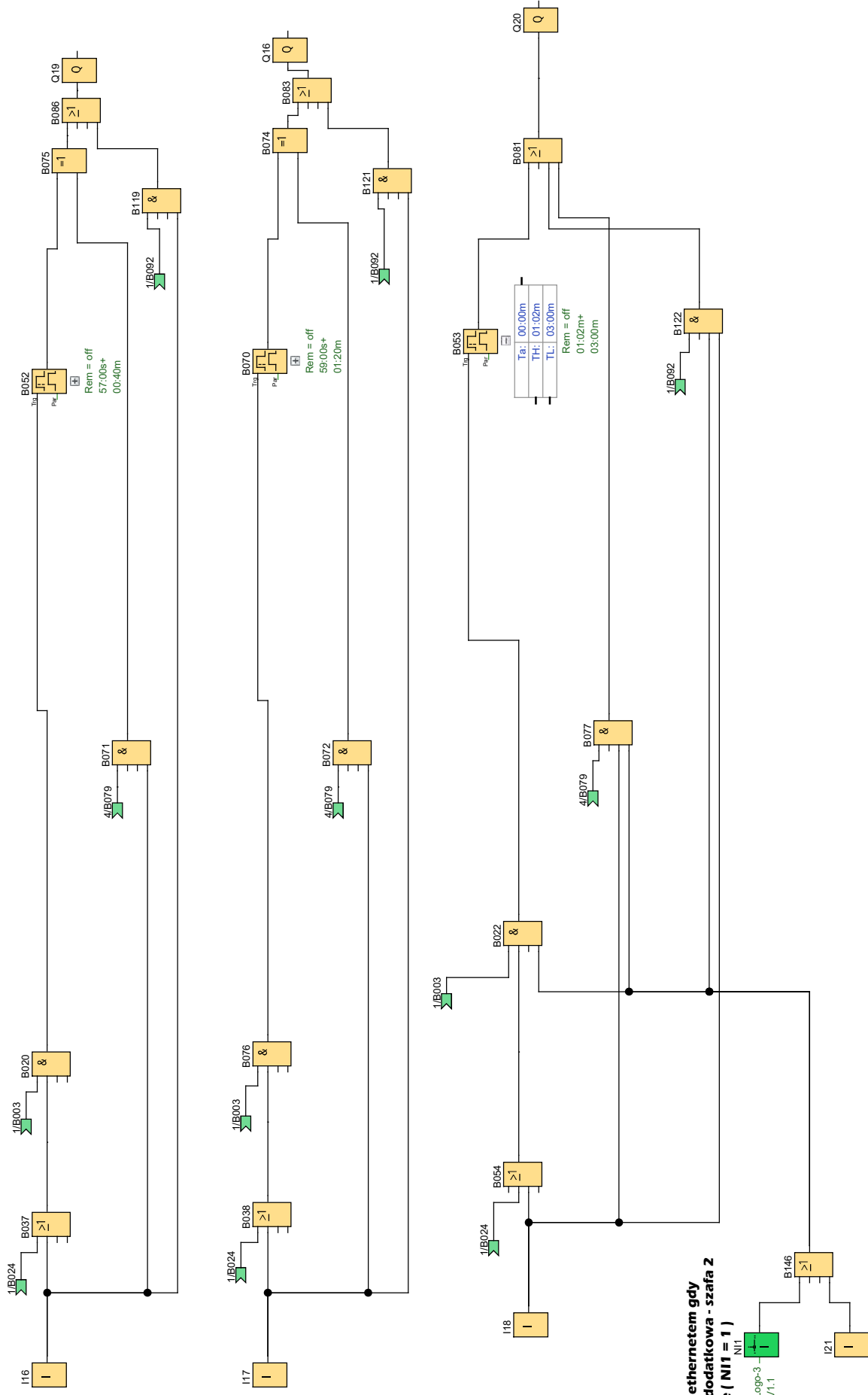


|          |                                |               |                     |              |        |
|----------|--------------------------------|---------------|---------------------|--------------|--------|
| Creator: | LM                             | Project:      |                     | Customer:    |        |
| Checked: |                                | Installation: |                     | Diagram No.: |        |
| Date:    | 6/28/22 1:41 PM/3/5/23 9:13 PM | File:         | czerwiec-logic2.lsc | Page:        | 5 / 12 |



**DRAGON DO FAL 2 22KW**

|          |                              |               |                    |
|----------|------------------------------|---------------|--------------------|
| Creator: | LM                           | Project:      |                    |
| Checked: |                              | Installation: |                    |
| Date:    | 6/28/22 1:41 PM/5/23 9:13 PM | File:         | czerwiec-logo2.lsc |
|          |                              | Customer:     |                    |
|          |                              | Diagram No.:  |                    |
|          |                              | Page:         | 6 / 12             |

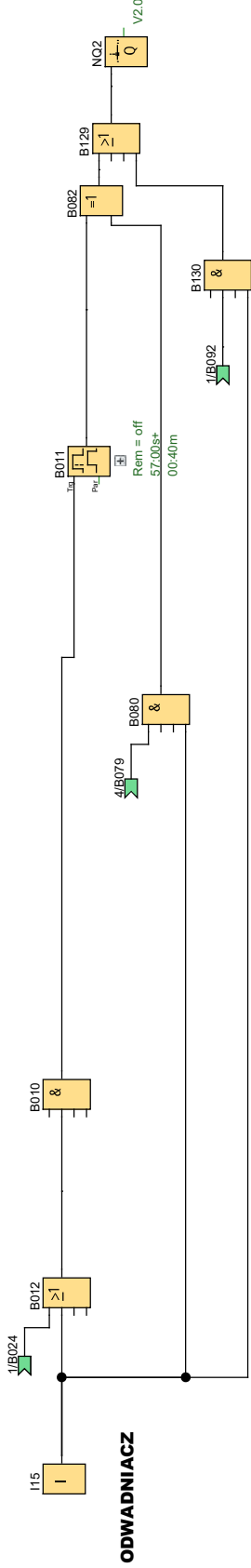


**Sygnal ethernetem gdy  
sekcja dodatkowa - szafa 2  
pracuje ( NI1 = 1 )**

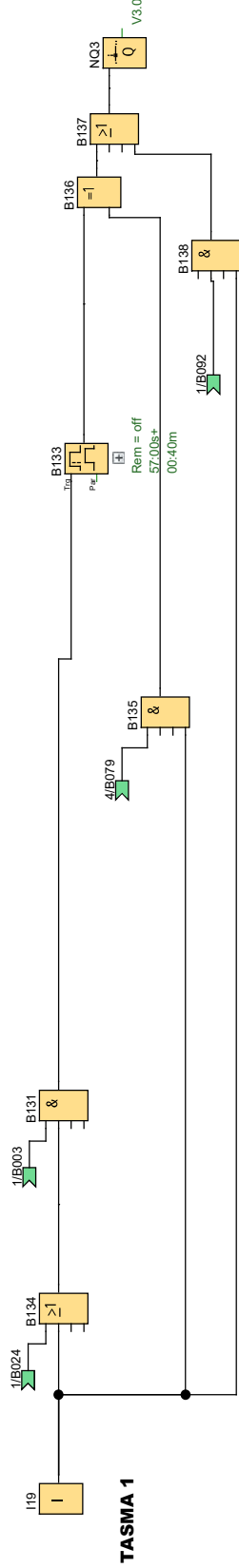
Logo-3  
V1.1

**I21 musi byc +24VDC aby  
byla Praca bez sekcji dodatkowej**

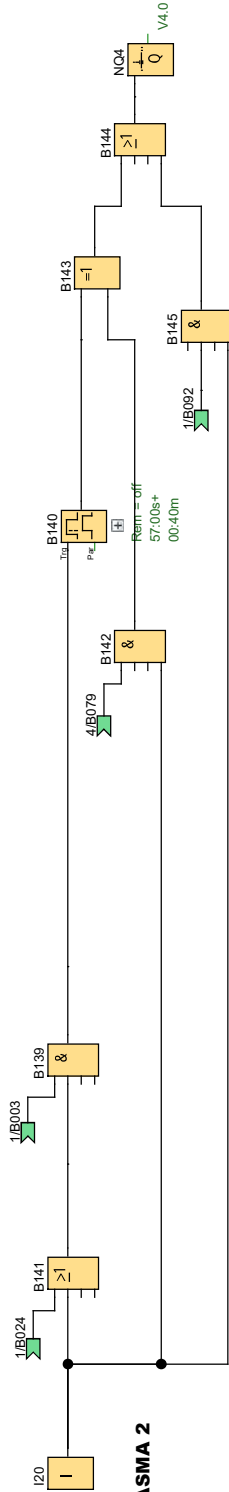
|          |                                |               |                    |              |        |
|----------|--------------------------------|---------------|--------------------|--------------|--------|
| Creator: | LM                             | Project:      |                    | Customer:    |        |
| Checked: |                                | Installation: |                    | Diagram No.: |        |
| Date:    | 6/28/22 1:41 PM/3/5/23 9:13 PM | File:         | czerwiec-logo2.lsc | Page:        | 7 / 12 |



**ODWADNIACZ**



**TASMA 1**



**TASMA 2**

|          |                                |               |                    |              |        |
|----------|--------------------------------|---------------|--------------------|--------------|--------|
| Creator: | LM                             | Project:      |                    | Customer:    |        |
| Checked: | 6/28/22 1:41 PM/3/5/23 9:13 PM | Installation: |                    | Diagram No.: |        |
| Date:    |                                | File:         | czerwiec-logo2.lsc | Page:        | 8 / 12 |



| Block Number (Type)                 | Parameter                      |
|-------------------------------------|--------------------------------|
| B001(On-/Off-Delay) :               | Rem = on<br>00:00s+<br>03:20m  |
| B011(On-/Off-Delay) :               | Rem = off<br>57:00s+<br>00:40m |
| B024(Wiping relay (pulse output)) : | Rem = off<br>02:00m+           |
| B039(On-/Off-Delay) :               | Rem = off<br>20:00s+<br>07:15m |
| B040(On-/Off-Delay) :               | Rem = off<br>24:00s+<br>07:00m |
| B041(On-/Off-Delay) :               | Rem = off<br>26:00s+<br>06:15m |
| B042(On-/Off-Delay) :               | Rem = off<br>30:00s+<br>06:00m |
| B043(On-/Off-Delay) :               | Rem = off<br>34:00s+<br>05:00m |
| B044(On-/Off-Delay) :               | Rem = off<br>36:00s+<br>05:10m |
| B045(On-/Off-Delay) :               | Rem = off<br>43:00s+<br>04:30m |
| B046(On-/Off-Delay) :               | Rem = off<br>38:00s+<br>05:00m |
| B047(On-/Off-Delay) :               | Rem = off<br>45:00s+<br>04:00m |
| B048(On-/Off-Delay) :               | Rem = off<br>40:00s+<br>05:00m |
| B049(On-/Off-Delay) :               | Rem = off<br>50:05s+<br>03:10m |
| B050(On-/Off-Delay) :               | Rem = off<br>52:00s+<br>01:00m |
| B051(On-/Off-Delay) :               | Rem = off<br>55:00s+<br>00:55m |

|          |                                |               |                    |              |        |
|----------|--------------------------------|---------------|--------------------|--------------|--------|
| Creator: | LM                             | Project:      |                    | Customer:    |        |
| Checked: |                                | Installation: |                    | Diagram No.: |        |
| Date:    | 6/28/22 1:41 PM/3/5/23 9:13 PM | File:         | czerwiec-logo2.lsc | Page:        | 9 / 12 |

| Block Number (Type)   | Parameter                      |
|-----------------------|--------------------------------|
| B052(On-/Off-Delay) : | Rem = off<br>57:00s+<br>00:40m |
| B053(On-/Off-Delay) : | Rem = off<br>01:02m+<br>03:00m |
| B070(On-/Off-Delay) : | Rem = off<br>59:00s+<br>01:20m |
| B084(On-/Off-Delay) : | Rem = off<br>04:50s+<br>03:55m |
| B092(On-/Off-Delay) : | Rem = off<br>02:00s+<br>04:00s |
| B132(On-/Off-Delay) : | Rem = off<br>04:00s+<br>06:00s |
| B133(On-/Off-Delay) : | Rem = off<br>57:00s+<br>00:40m |
| B140(On-/Off-Delay) : | Rem = off<br>57:00s+<br>00:40m |

|          |                                |               |                    |              |         |
|----------|--------------------------------|---------------|--------------------|--------------|---------|
| Creator: | LM                             | Project:      |                    | Customer:    |         |
| Checked: |                                | Installation: |                    | Diagram No.: |         |
| Date:    | 6/28/22 1:41 PM/3/5/23 9:13 PM | File:         | czerwiec-logo2.lsc | Page:        | 10 / 12 |

| Connection | Label |
|------------|-------|
| I1         |       |
| I2         |       |
| I3         |       |
| I4         |       |
| I5         |       |
| I6         |       |
| I7         |       |
| I8         |       |
| I9         |       |
| I10        |       |
| I11        |       |
| I12        |       |
| I13        |       |
| I14        |       |
| I15        |       |
| I16        |       |
| I17        |       |
| I18        |       |
| I19        |       |
| I20        |       |
| I21        |       |
| I22        |       |
| I23        |       |
| N11        |       |
| NQ1        |       |
| NQ2        |       |
| NQ3        |       |
| NQ4        |       |
| Q1         |       |
| Q2         |       |
| Q3         |       |
| Q4         |       |
| Q5         |       |
| Q6         |       |
| Q7         |       |

|          |                                |               |                    |              |         |
|----------|--------------------------------|---------------|--------------------|--------------|---------|
| Creator: | LM                             | Project:      |                    | Customer:    |         |
| Checked: |                                | Installation: |                    | Diagram No.: |         |
| Date:    | 6/28/22 1:41 PM/3/5/23 9:13 PM | File:         | czerwiec-logo2.lsc | Page:        | 11 / 12 |

| Connection | Label |
|------------|-------|
| Q8         |       |
| Q9         |       |
| Q10        |       |
| Q13        |       |
| Q14        |       |
| Q15        |       |
| Q16        |       |
| Q17        |       |
| Q18        |       |
| Q19        |       |
| Q20        |       |



|          |                                |               |                    |              |         |
|----------|--------------------------------|---------------|--------------------|--------------|---------|
| Creator: | LM                             | Project:      |                    | Customer:    |         |
| Checked: |                                | Installation: |                    | Diagram No.: |         |
| Date:    | 6/28/22 1:41 PM/3/5/23 9:13 PM | File:         | czerwiec-logo2.lsc | Page:        | 12 / 12 |