

Module Address

IP Address 192.168.0.3
Subnet Mask: 255.255.255.0
Default gateway 192.168.0.1

Creator:
Checked:
Date:

LM

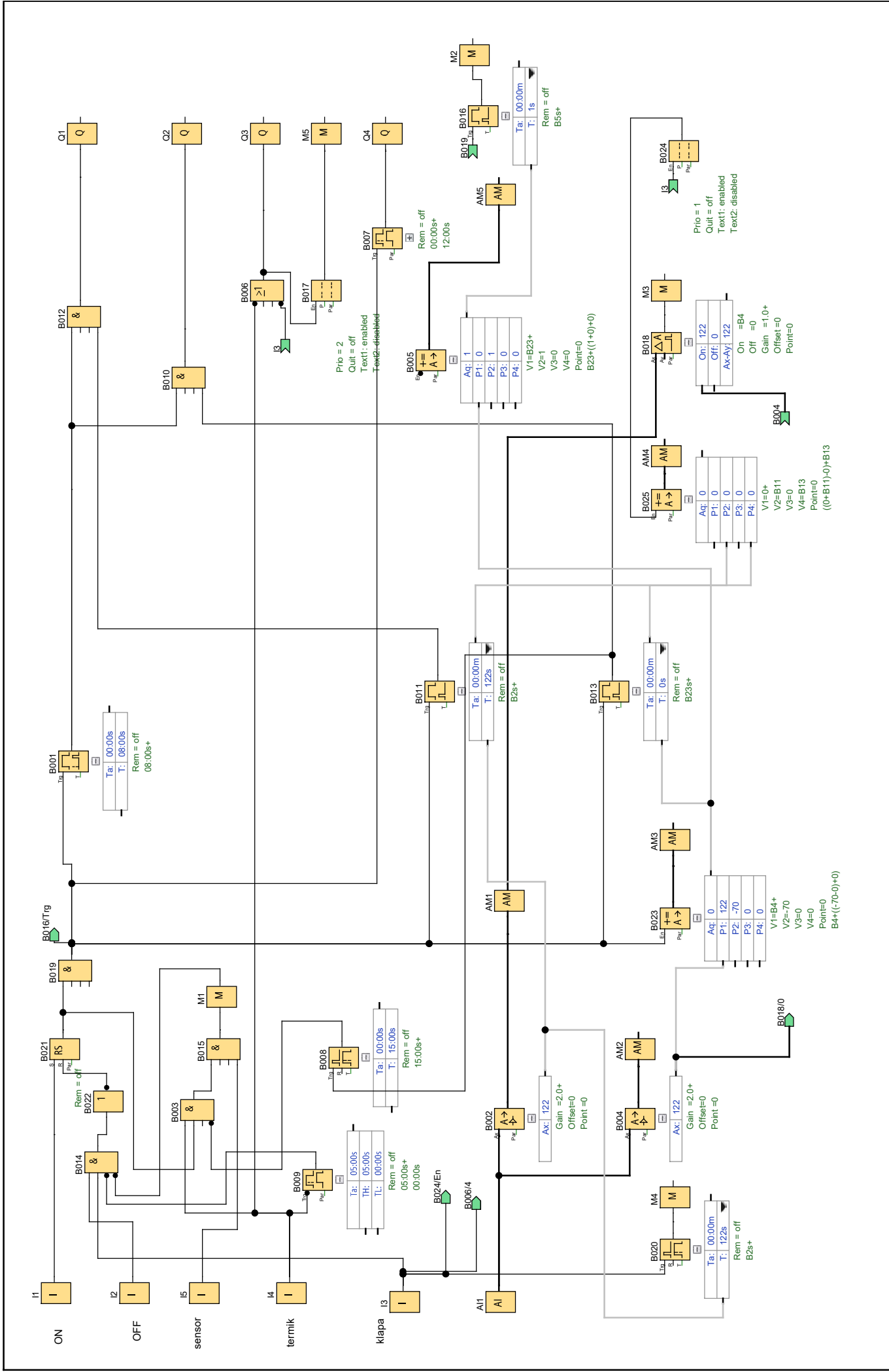
7/25/21 10:59 PM/8/25/21 6:09 PM

Project:
Installation:
File:

PRAJKA-3.isc


Customer:
Diagram No.:
Page:

1/5



Creator:	LM	Project:		Customer:	
Checked:		Installation:		Diagram No.:	
Date:	7/25/21 10:59 PM/8/25/21 6:09 PM	File:	PRALKA-3.isc	Page:	2 / 5

Block Number (Type)	Parameter	
B001(On-Delay) :	Rem = off 08:00s+	
B002(Analog Amplifier) :	Gain =2.0+ Offset=0 Point =0	
B004(Analog Amplifier) :	Gain =2.0+ Offset=0 Point =0	
B005(Mathematic instruction) :	V1=B23+ V2=1 V3=0 V4=0 Point=0 B23+((1+0)+0)	
B007(On-/Off-Delay) :	Rem = off 00:00s+ 12:00s	
B008(Off-Delay) :	Rem = off 15:00s+	
B009(On-/Off-Delay) :	Rem = off 05:00s+ 00:00s	
B011(Wiping relay (pulse output)) :	Rem = off B2s+	
B013(Wiping relay (pulse output)) :	Rem = off B23s+	
B016(Wiping relay (pulse output)) :	Rem = off B5s+	
<p data-bbox="124 1317 311 1346">B017(Message texts) :</p> <div data-bbox="124 1442 951 1850"> </div> <p data-bbox="124 1870 292 1921">Line6.1 B017-Date Line6.13 B017-Time</p>	<p data-bbox="1007 1317 1139 1422">Prio = 2 Quit = off Text1: enabled Text2: disabled</p> <p data-bbox="1007 1438 1187 1700">Ticker setting - CBC - Line1: N - Line2: N - Line3: N - Line4: N - Line5: N - Line6: N Message Destination - Both</p>	
Creator: LM	Project:	Customer:
Checked:	Installation:	Diagram No.:
Date: 7/25/21 10:59 PM/8/25/21 6:09 PM	File: PRALKA-3.lsc	Page: 3 / 5

Block Number (Type)	Parameter				
B018(Analog Comparator) :	On =B4 Off =0 Gain =1.0+ Offset =0 Point=0				
B020(Off-Delay) :	Rem = off B2s+				
B021(Latching Relay) :	Rem = off				
B023(Mathematic instruction) :	V1=B4+ V2=-70 V3=0 V4=0 Point=0 B4+((-70-0)+0)				
B024(Message texts) :  <p>Line2.1 B024-Date Line2.13 B024-Time Line3.15 B020-TRest Line4.15 B011-TRest Line5.15 B016-TRest Line6.15 B008-TRest</p>	Prio = 1 Quit = off Text1: enabled Text2: disabled --> Ticker setting - CBC - Line1: N - Line2: N - Line3: N - Line4: N - Line5: N - Line6: N Message Destination - Both				
B025(Mathematic instruction) :	V1=0+ V2=B11 V3=0 V4=B13 Point=0 ((0+B11)-0)+B13				
Creator:	LM	Project:		Customer:	
Checked:		Installation:		Diagram No.:	
Date:	7/25/21 10:59 PM/8/25/21 6:09 PM	File:	PRALKA-3.lsc	Page:	4 / 5

Connection	Label
A11	
I1	
I2	
I3	
I4	
I5	
AM1	
AM2	
AM3	
AM4	
AM5	
M1	
M2	
M3	
M4	
M5	
Q1	
Q2	
Q3	
Q4	



Creator:	LM	Project:		Customer:	
Checked:		Installation:		Diagram No.:	
Date:	7/25/21 10:59 PM/8/25/21 6:09 PM	File:	PRALKA-3.lsc	Page:	5 / 5